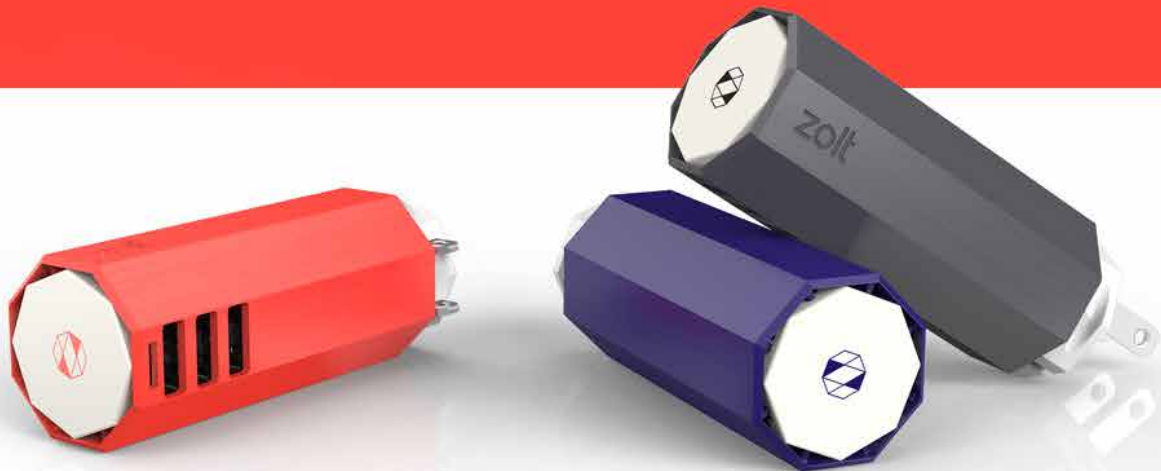




Zolt Laptop Charger Plus User Guide



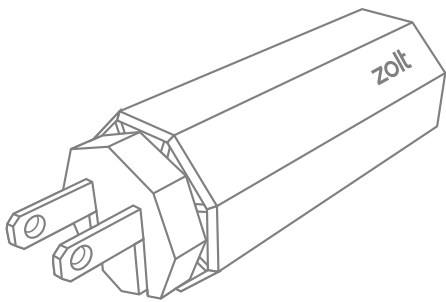
70W Universal Laptop and Mobile Device Charger

Meet your Zolt Laptop Charger Plus

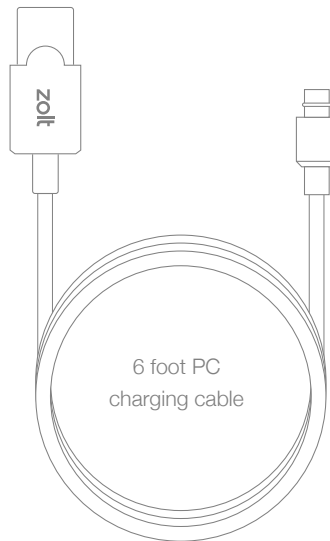
The Zolt Laptop Charger Plus is a compact, light-weight, multi-device charger that delivers streamlined, intelligent charging for life on the go. With its 70 watts total output it has enough juice to power most laptops (65 watts or below) and 2 mobile devices all at the same time! Perfect for your smartphone or tablet, Zolt can even power your e-reader, digital camera, portable speakers, Bluetooth headset and other USB compatible charging products. It's the one charger you'll always want with you.

This guide covers the basic use of your Zolt along with its various features.

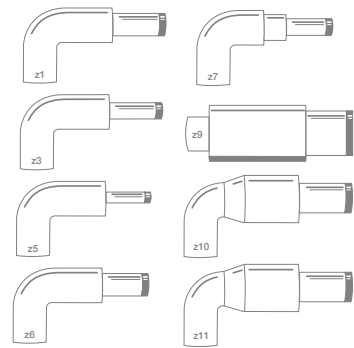
Inside the box you'll find:



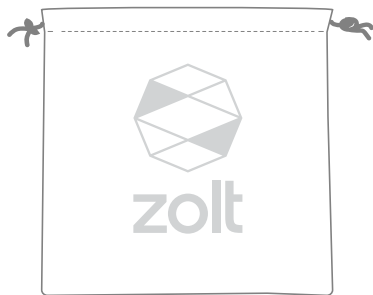
70W Zolt Laptop Charger Plus



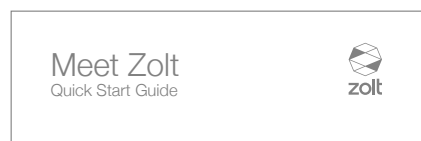
6 foot PC charging cable



8 PC interchangeable PC power tips



Travel pouch



Quick start guide

Important Safety Information

Before use, please read the following important safety information.

Following these simple guidelines will ensure trouble-free operation and optimal performance of your Zolt Laptop Charger Plus when used with compatible laptops and mobile electronic devices.

1. Before use, read and follow all the instructions and warnings closely and completely review power-tip compatibility information found in this user guide or online at: www.gozolt.com.
2. Verify the power requirements of the device you intend to charge before operating your Zolt. Do not use with laptops that require more than 65 watts of power. Charging with the wrong wattage may be harmful to your device.
3. Avoid pulling on the cords and cables. Always grip firmly at their base when disconnecting. Never force a PC power tip into a laptop or Ultrabook. The correct tip will fit smoothly and will not require extra force.
WARNING: Using the wrong power tip may damage your electronic device or cause it to malfunction.
4. While operating your Zolt Laptop Charger Plus periodically check that all output cables are connected firmly. Loose power cables can generate harmful heat and potentially damage your Zolt.
5. For indoor use only. Operate in a well ventilated area. Maximum ambient temperature around the Zolt should not exceed 95°F (35°C). Avoid exposure to external heat sources; direct/prolonged sunlight, dust, corrosive chemicals and moisture.
6. Do not cover the adapter with paper or other materials or place anything closely around it while in operation that may obstruct the adapters built-in cooling properties
7. It is normal for chargers (including Zolt) to become warm during use. This is expected and safe. As a precaution, Zolt has built-in over-voltage, short circuit and over-temperature protection. As with all electrical devices, appropriate care should be taken when handling during use.
8. Do not drop or subject your Zolt to undue shock. It is a sophisticated electronic power device and should be handled with appropriate care.
9. For **laptop charging** always use the supplied Zolt brand cables and PC charging tips. Use of **laptop** cables, connectors, tips, or laptop accessories not supplied with this product constitutes misuse voiding all warranties and may result in injury or damage.
10. Do not attempt to service or disassemble. The unit is not user-serviceable. Attempting to disassemble or service the unit can result in electrical hazard, including personal injury or death from exposure to high voltage. If you experience problems with the unit, discontinue use and contact Zolt support at 866-855-ZOLT (9658) or support@gozolt.com for assistance. Attempting to open or service the unit voids all warranties, express or implied.

Getting started

Your Zolt Laptop Charger Plus is capable of powering laptops up to 65 watts,* including many MacBook models (with optional accessory cable) and up to 2 mobile devices simultaneously. Check the power requirement of your laptop online or the label on the bottom of your laptop...

MODEL NO: 630
DC RATING: 19.5V ⚡ 15A

Bottom of laptop example

Or on the original laptop power adapter.

AC IN: ~ 100-240V 50/60Hz 23W
DC OUT: ⚡ 19.5V 15A

Power adapter label example

Determine the correct tip for your laptop from the table below. Note: some brands may use more than one tip.


Acer	z1	Lenovo	z3, z9, z11
Asus	z3, z6	LG	z3
Dell	z1, z5, z10	MSI	z3
Fujitsu	z3	Samsung	z6
Gateway	z1	Toshiba	z3
HP	z5, z7, z10		

FREE Power Tips

Need a tip? We're here to help. Call 866-855-ZOLT (9658) or email support@gozolt.com for help and information on how to get free replacement tips.†

Each laptop has a specific tip with different dimensions and levels of current and voltage, it is important that you use the correct tip. The correct tip will fit in your laptop smoothly — do not force.

Zolt can be plugged into outlets ranging from 120-240 volts, 50-60 Hz AC. We recommend that you plug your laptop into your Zolt Laptop Charger Plus first, then mobile devices, then an AC outlet. When Zolt is properly connected and powered the LED will be on.

 Caution: using the incorrect tip may damage your laptop. Visit gozolt.com compatibility to see all supported manufacturers.

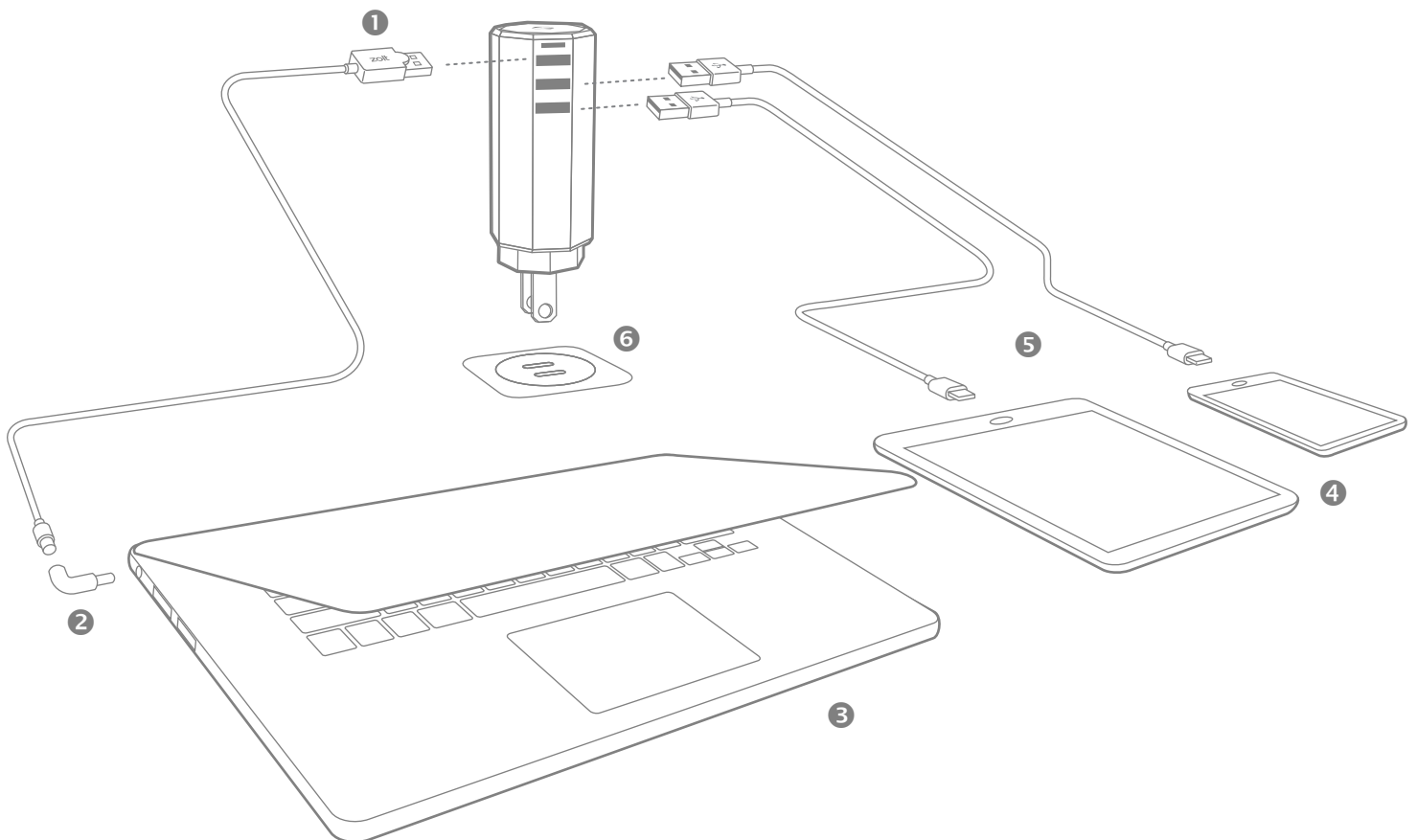
* Zolt supports laptops with voltage requirements of 18 -19.5 volts. Charging laptops outside this range may damage the laptop.

†Shipping and handling fees may apply

Charging your laptop and USB mobile devices

The Zolt Laptop Charger Plus can be operated from any standard wall outlet. Unplug your Zolt, attach the appropriate power tip (see power tip table) to the 6 foot Zolt PC output cable. Insert the USB end of the power cable with half circle key facing up in the top USB port of the Zolt. The top port is designed for laptop charging, the middle and bottom ports are for mobile devices. Attached appropriate USB device cable(s) to one or both remaining middle/bottom USB ports. Once cables are attached plug into the AC outlet. The LED will come on and the appropriate power will be delivered to each device.

- 1 6 foot Zolt output cable
- 2 Interchangeable PC power tip
- 3 Laptop or Ultrabook
- 4 Tablet, smartphone or other USB mobile device
- 5 Device USB charging cables
- 6 AC power outlet



Using your Zolt

Charging multiple devices

The Zolt Laptop Charger Plus is designed to charge a laptop and 2 mobile devices at the same time. It will automatically adjust to the wattage that meets the specifications of your laptop (up to 65 watts) and power requirements for most mobile devices.

Conditions and Modes

The following alerts may be displayed during certain operating circumstances and conditions:



Mobile device priority mode:

Blinks twice every 3 seconds: Too many higher power devices plugged in that are exceeding Zolt's maximum power rating.

In this mode, mobile devices are given priority.

Power will return to laptop when unit cools, typically when mobile devices are charged or disconnected.



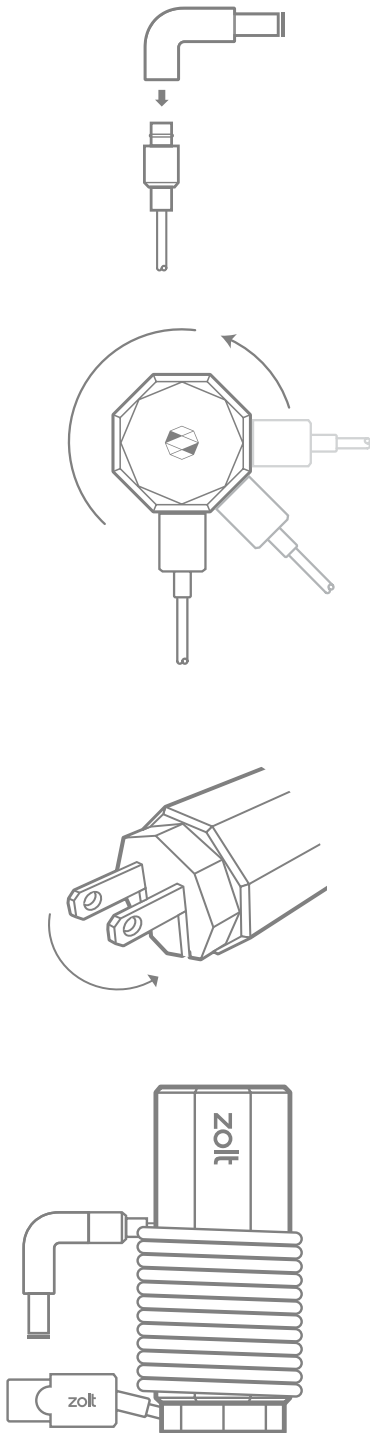
Power output shutdown mode:

Blinks Repeatedly: Zolt is no longer charging. Total power requirements may be exceeding Zolt's 70 watts total power (65 watts max for laptops) or there may be a short or bad connection in one of the cables.

Note: the Zolt Laptop Charger Plus may become warm or hot when in use. This is normal and safe. As a precaution, Zolt has built-in over-voltage, short circuit and over-temperature protection. As with all electrical devices, appropriate care should be taken when handling during use.

Features

The ultra-compact, super lightweight Zolt Laptop Charger Plus supports a wide variety of laptop brands and models thanks to the included 8 interchangeable PC power tips. It includes smart features and forward thinking design making it the perfect multi-device charger for your on the go lifestyle.



Features include:

- 8 interchangeable PC tips are compatible with thousands of popular laptops.
- 6-foot laptop charging cable.
- Supports most current major brand 45-65 Watt laptops and Ultrabooks.
- Charges most USB powered mobile devices.
- Ultra-compact, portable design is up to 3 times smaller and 4 times lighter than conventional laptop chargers.
- Rotates up to 90° to squeeze into tight spots or to free up adjacent outlets.
- Folding prongs make for compact storage.
- Charge cable conveniently wraps around Zolt.
- Beautiful brushed scratch-resistant finish available in three distinct colors (Ultra Violet, Electric Orange and Graphite).
- Charges from any standard AC wall outlet.
- Works worldwide with appropriate AC adapter.
- 2 year warranty with product registration.

Optional Accessories:

- 6 foot output power cable extension.
- MacBook (Mag L and Mag 2) accessory charging cables.

Available online at gozolt.com

Troubleshooting

If your Zolt Laptop Charger Plus is not charging or operating properly take the following steps:

- Disconnect the Zolt Laptop Charger Plus from its power source.
- Verify that the correct power tip has been installed by checking the tip compatibility table. **Never force a power tip into an electronic device.**
- Check your laptops compatibility at gozolt.com compatibility checker.
- Check that all connections are secure and reconnect your Zolt Laptop Charger Plus to verified working AC outlet.
- Plug ALL cables into your Zolt first, then the Zolt into an AC outlet.
- Note that the LED lights up on the white octagonal end cap indicating that Zolt is receiving power.
- After checking the above, unplug the charger from the power source, wait five seconds, then plug it back in.
- If you are still experiencing problems please contact Zolt support at: support@gozolt.com.

Warranty and limitations



We warranty the Zolt Laptop Charger Plus against defects in materials and workmanship under normal use, as described in the user guide, for period of 1 year from the date of purchase, or 2 years with product registration. During that time, defective product may be returned for repair or replacement.

The warranty does not cover accidental damage, wear and tear, incidental loss, or use beyond the instructions in this user guide.

How to obtain warranty service?

If you experience a problem with your Zolt, please contact our support team. Warranty returns are limited to reasons outlined in the Zolt Warranty Policy available online at: www.gozolt.com/warranty.

To obtain warranty service, call 1-866-855-ZOLT (9658) or email support@gozolt.com. Answer techs may diagnose and correct the issue over the phone. Should anything need to be serviced or replaced under warranty, return instructions will be provided along with a return merchandise authorization (RMA) number after you have contacted Zolt support. Valid warranty returns including both product and outbound shipping, are processed at no additional charge to the customer.

To the extent permitted by law, Avogy, Inc. (Zolt's parent company) shall not be liable for damages beyond replacing the defective product.

* With product registration

Support

We're here to help

Questions or problems? No need to return your Zolt to the place of purchase. Our friendly answer techs are ready to help you with any issues or questions you may have. Just call us at 866-855-ZOLT (9658) or email support@gozolt.com, we're here to help.

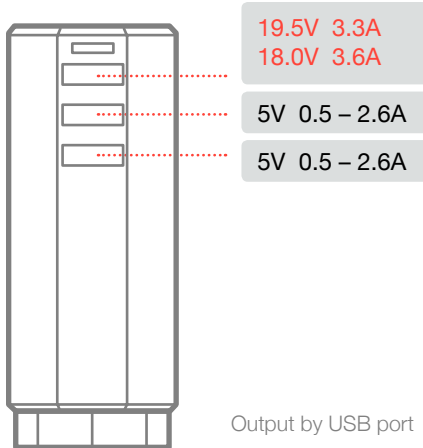
You can also go online at: gozolt.com/support for more help and answers to frequently asked questions.

Register your Zolt at gozolt.com/register

By registering your Zolt you will get:

- Extended warranty from 1 year to 2 years
- FREE PC tip replacement*
- News about latest products
- Exclusive offers and much more...

Technical Specifications



Input Voltage (AC)	120-240V, 50/60Hz
Output Power	70 watts continuous
Dimensions	L: 93mm / D: 34mm
Weight	100g
Zolt PC Power Cable	6 foot (182 cm)
Storage Temperature	-40 to 85° C
Operating Temperature	0 to 35° C
Relative Humidity	95%, max
Built-In circuit, overvoltage/undervoltage, over temperature protection	

Regulatory Compliance – FCC Statement

This equipment has been tested and found to comply with the limits of a Class B digital device, pursuant to Part 15 of the FCC Rules. These limits are designed to provide reasonable protection against harmful interference in a residential installation. This equipment generates, uses, and can radiate radio frequency energy and if not installed and used in accordance with the instructions, may cause harmful interference to radio communications. However, there is no guarantee that interference will not occur in a particular installation. If this equipment does cause harmful interference to radio or television reception, which can be determined by turning the equipment off and on, the user is encouraged to try to correct the interference by one or more of the following measures:

- Reorient or relocate the receiving antenna.
- Increase the separation between the equipment and receiver.
- Connect the equipment into an outlet on a circuit different from that to which the receiver is connected.
- Consult the dealer or an experienced radio/TV technician for help.
- Changes or modifications not authorized by the party responsible for compliance could void the user's authority to operate this product.

Copyright and notices

We pride ourselves on the quality of our products. The Zolt Laptop Charger Plus is covered by a 1 YEAR LIMITED WARRANTY or 2 YEARS with product registration. For complete warranty details please visit www.gozolt.com/warranty.

Features and specifications are subject to change without notice. All trademarks and registered trademarks are the property of their respective owners.

©2015 Zolt, Inc. (an Avogy company). All rights reserved. For U.S. sales contact: sales@gozolt.com (677 River Oaks Pkwy, San Jose, CA 95134).



Version 1.0 122015